

# SPECIFICATION



## **D6 LED TRIPROOF LIGHT** (Anti-UV / Ammonia for Farm Lighting)

## Features



# DUALRAYS

Intelligent . Healthy . Efficient



## D6 LED TRIPROF LIGHT

### Anti-UV / Ammonia for Farm / Marine Lighting

- IP69K IK06 (PMMA) Anti-ammonia/UV, IP69K / IK10 (PC) Anti-UV Protection;
- Toolless Fast End-cap for Easy Wiring and Labor Cost Saving;
- Power Adjustable with DIP Switch to Reduce SKU for Stocking;
- Against Water Pressure of 100bar(1450psi) and Temperature of 80°C;
- Phase (L1/L2/L3/N/FG) can be Easily Selected with DIP Switch;
- Tri-Color Optional (A: 3000-4000-5000K; B: 3000-4500-6000K; C: 4000-5000-6000K);
- Single or Double Wiring Optional, Linkable Through Double End Wiring;
- 304/316 Stainless Steel End Cap & Bracket, corrosion-proof;
- 120° / 180° / 240° / 360° Optics Optional;
- L70/B20 @ 54.000h;



- > High Brightness SAN'AN SMD2835 LEDs, BOKE High PF Flicker-free Driver, DIP Switch Power Adjustment Optional;
- > Tri-Color optional (A: 3000-4000-5000K; B: 3000-4500-6000K; C: 4000-5000-6000K);
- > Single Phase (L/N/E) or Three Phase (L1/L2/L3/N/FG) Optional;
- > Tailored Knob End-cap Design, quick & convenient to open and relock for wiring, greatly improve efficiency and save labor cost;
- > Against Water Pressure of 100bar(1450psi) and Temperature of 80°C;
- > IP69K PMMA IK06 Anti-ammonia/UV /PC IK10 Anti-UV Protection;
- > 120°/200°/280° beam angle optional;
- > Single or Double Wiring Optional, Linkable Thorough Double End Wiring;
- > Multiple Installations: Suspension, Wall Mounting, Magnetic Holding;
- > Various intelligent control: 1-10V, DALI, Motion sensor, Daylight sensor, Zigbee and Emergency;
- > 304/316 Stainless Steel End Cap & Bracket, corrosion-proof;
- > No UV or IR and completely mercury free;
- > L70/B20 @ 65.000h;
- > Customized supported for special projects;

### Options:

- > Driver: BOKE fixed power driver, DIP switch power adjustable driver;
- > Controls and Dimming: 1-10V Dimming / DALI / Motion Sensor, Daylight Sensor, Zigbee and Emergency;
- > 120°/200°/280° beam angle optional;
- > Fix CCT or Tri-color;
- > Plug: European / Australia plug with 0.75mm<sup>2</sup>/1.5mm<sup>2</sup>/2.5mm<sup>2</sup> 3-pins or 5-pins (dimming) cable;
- > Installation : Suspension, Wall Mounting, Magnetic Holding;
- > Wiring: Single or double wiring;

## Application

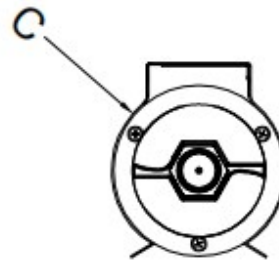
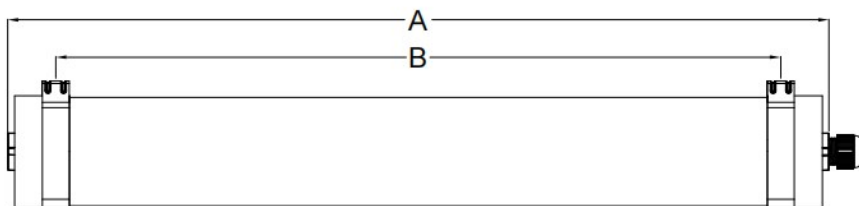
- > Replacement for fluorescent NCF;
- > Cattle farm;
- > Pig farm;
- > Industrial and Agricultural applications

## Technical Parameters

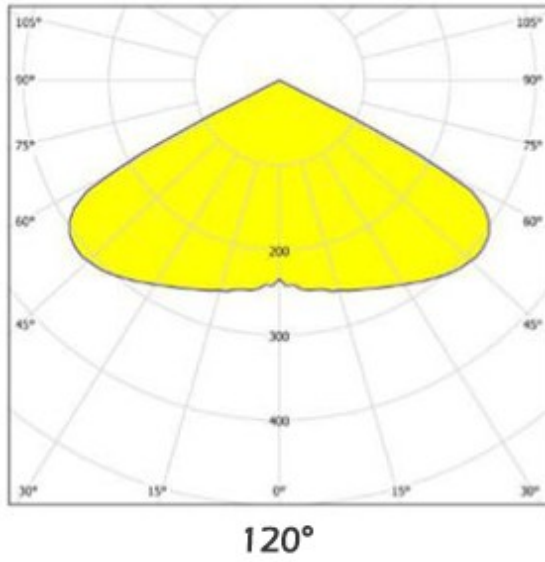
<b>Model No.</b>	DR-TP020-FG2XP	DR-TPL030-FG4XP	DR-TPL040-FG5XP	DR-TPL050-FG5XP
<b>System Watts/W</b>	20W / DIP Switch	30W / DIP Switch	40W / DIP Switch	50W / DIP Switch
<b>System Efficiency/LPW</b>	130LPW / 160LPW Optioanl			
<b>Lumen Output/lm</b>	2.600/3.200±5%	3.900/4.800±5%	5.200/6.400±5%	6.500/8.000±5%
<b>Rated Input Voltage/V</b>	AC200~240V 50/60Hz (AC100~277V, 50/60Hz Optional)			
<b>LEDs Light Source</b>	SMD2835			
<b>SDCM</b>	<6			
<b>CCT/K</b>	5000K for Standard (3000K/4000K/5700K/6500K Optional)			
<b>CRI/Ra</b>	>80Ra (>70Ra for Option)			
<b>Power Factor</b>	>0.92			
<b>THD</b>	<10%			
<b>Beam Angle(Optional)</b>	120° / 200° / 280° Optional			
<b>UGR</b>	<22			
<b>LED Driver</b>	BOKE Fixed Power/ DIP Switch Power Adjustable Optional			
<b>IP Rating</b>	IP66			
<b>IK Level</b>	IK10 (PC) / IK08 (PMMA)			
<b>Dimming(Optional)</b>	1-10V, DALI, Zigbee			
<b>Protection</b>	IP69K			
<b>Sensor (Optional)</b>	Daylight sensor/Microwave Sensor			
<b>Protection Class</b>	Class I			
<b>Finishing Color(Optional)</b>	RAL9016 Matt White			
<b>Material</b>	PC+PC (PMMA / Tempered Glass Optional)			
<b>Lifespan/hrs</b>	65.000 Hrs (Ta=30°C@L70)			
<b>Operation Temp/°C</b>	-40°C to + 50°C(-40°F to 122°F)			
<b>Storage Temp/°C</b>	-40°C to + 65°C(-40°F to 149°F)			
<b>Installation</b>	Suspension / Ceiling Mounting / Magnetic Optional			
<b>Certificate</b>	CE(EMC+LVD),RoHS,ENEC ,SAA,RCM Available			

## Dimensions

Character/Length	2ft	4ft	5ft
<b>A</b>	608.3mm	1208.3mm	1508.3mm
<b>B</b>	537mm	1137mm	1437mm
<b>C</b>	80mm	80mm	80mm

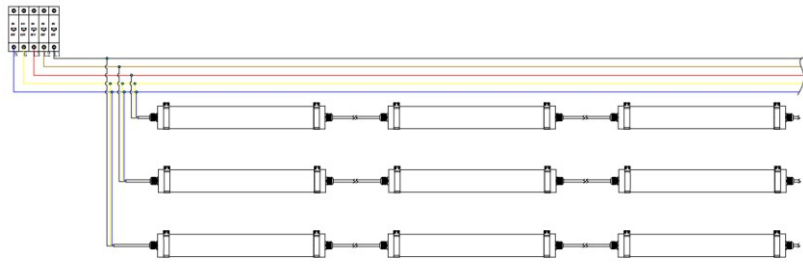
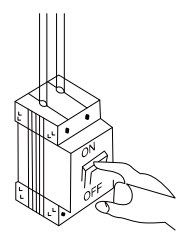
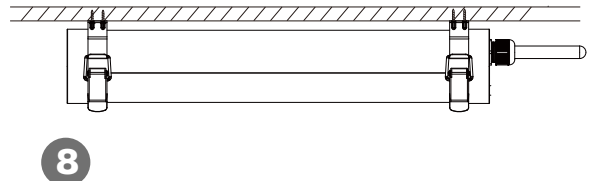
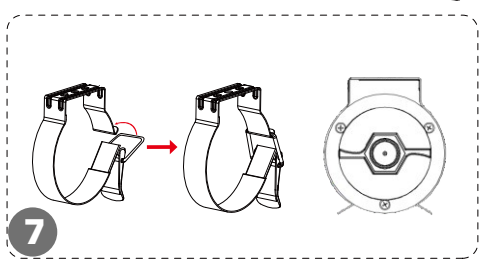
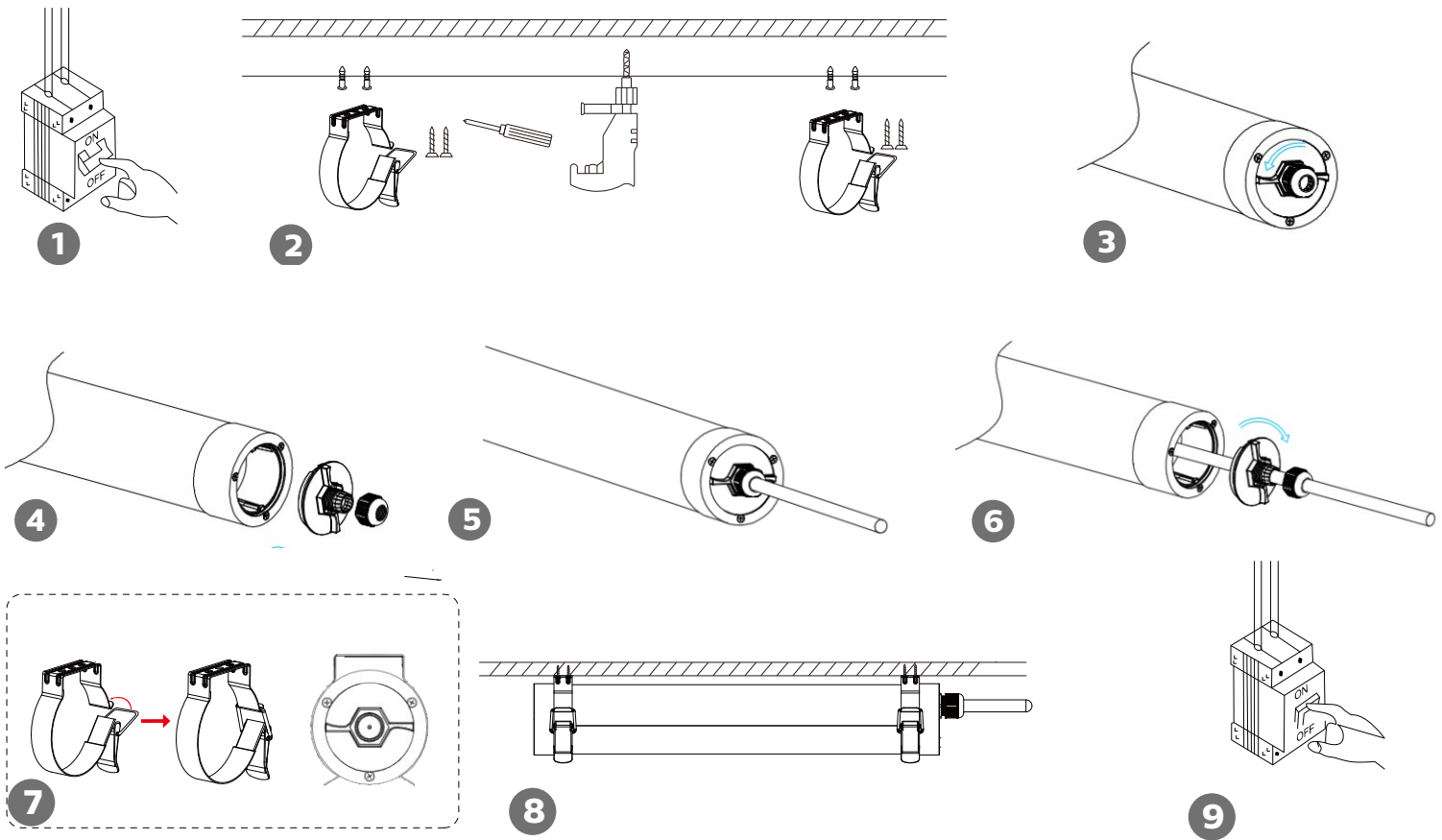


# Photometry Diagram



## Installation

### Ceiling Mounted



Linkable Connection

1	Mounting Bracket with nut and screw	2	Magnetic Mounting Bracket
3	Mounting Bracket with Chain Suspension	4	Mounting Bracket with Cable Suspension

Optional Installation Kits

## INSTALLATION GUIDE

### IMPORTANT SAFETY INFORMATION:

Please read all the instructions below before installation

- > Make sure that the supply voltage corresponds to the rated product voltage;
- > The product must be installed by a qualified electrician in accordance with the National Electrical Code and corresponding local codes.
- > If the product is damaged, do not use it!



Turn Off Power Supply



## Wiring Diagram



### RISK OF PERSONAL INJURY – READ and follow all WARNINGS and installation instructions.

Keep or give to the owner for future reference.

**Risk of cuts:** Wear gloves to prevent cuts or abrasions when removing from carton, handling, installing, and maintaining this product.  
**Risk of electric shock:** This product must be installed in accordance with the applicable installation code by a person familiar with the construction and operation of the product and the hazards involved.

**Risk of Fire:** Minimum 194°F supply conductors. Consult a qualified electrician to ensure correct branch circuit conductor.

DUALWAYS® assumes no responsibility for claims arising out of improper or careless Installation or handling of this product.

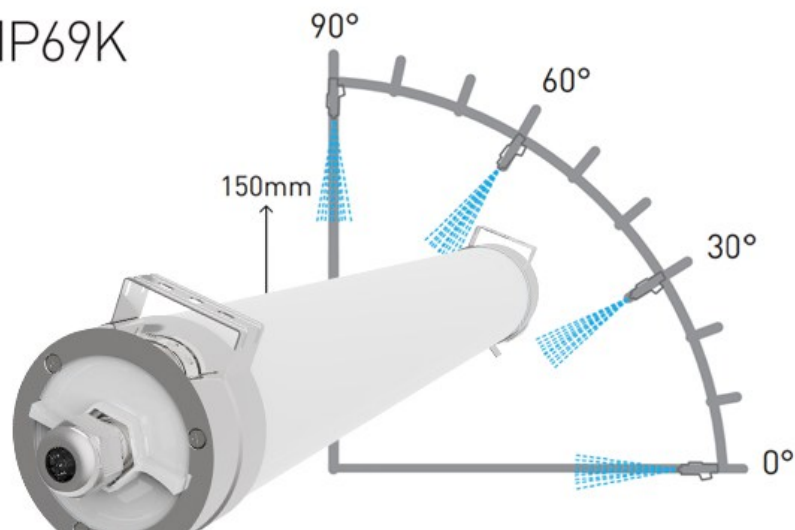
## Packaging Information

Model No.	Net Weight/Kg	Outer Carton Size/mm	Gross Weight/Kg	QTY"/CTN
DR-TPL020-FG2XP	12.5	670*440*20	13.2	9PCS
DR-TPL030-FG4XP	15.8	1270*360*200	17.5	9PCS
DR-TPL030-FG4XP	16.1	1270*360*200	18.3	9PCS
DR-TPL040-FG5XP	19.1	1570*360*200	20.6	9PCS
DR-TPL050-FG5XP	19.5	1570*360*200	21.4	9PCS

## Details Demo

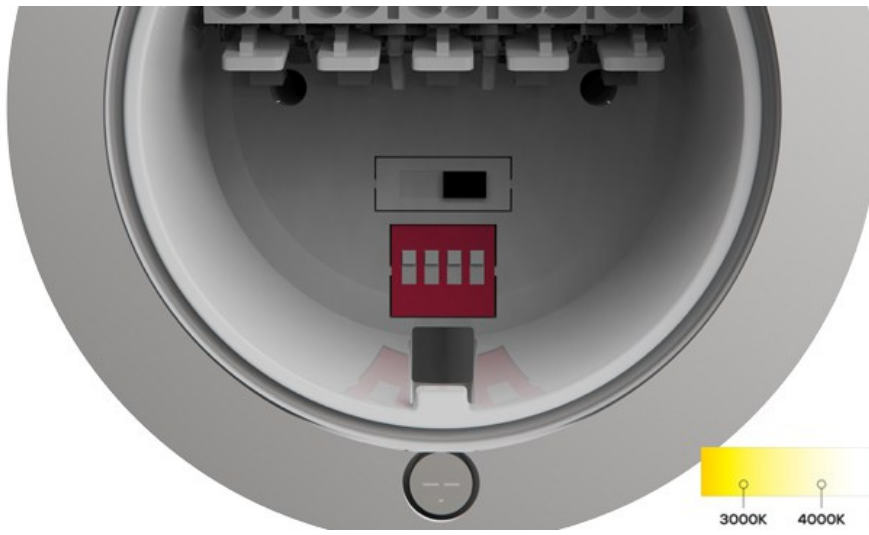
Against Water Pressure of 100bar(1450psi) and Temperature 80°C>>>

IP69K





DIP Switch for Power Adjustment and Tri-Color Optional >>>



Tailored Knob End-cap Design, quick & convenient to open and relock for wiring, greatly improve efficiency and save labor cost>>>



## Application Reference

